



Project _____

AIA# _____ SIS# _____

Item # _____ Quantity _____

MASTER SERIES

Full-Size Lava Rock Gas Charbroilers



Model ACV-2

The images presented here are illustrative and may vary or not exactly match the physical product.



DESCRIPTION

Coriat Master Series Full-Size Lava Rock Gas Charbroilers are specially designed as central element in regular kitchens or as auxiliary devices in very large kitchens. Discover the perfect way to add smoky grilled flavor and markings to steaks, chicken, fish, vegetables and fruits.

SPECIFY TYPE OF GAS WHEN ORDERING

- Natural Gas
- Propane

SPECIFY ALTITUD

Above 2,000 ft

MODELS

- ACV-1
- ACV-2
- ACV-3
- ACV-4

STANDARD FEATURES

- External and internal sheet metal parts in stainless steel.
- 18 gauge all welded firebox.
- Reversible top cast iron grates with two levels.
- Lava rock layer per section.
- Removable stainless steel grease tray, for fast cleaning.
- 30,000 Btu/h "U" type stainless steel burners each 12".
- Independent manual controls for each 12" section.
- Individual stainless steel no clog pilots.
- Zamak die cast knobs with set screws.
- Gas pressure regulator.
- 4" stainless steel adjustable legs.
- CSA design certified, NSF listed.

ACCESORIES

Equipment Stand Size

- 11 1/2"
- 23"
- 34 1/2"
- 46 1/2"

MASTER SERIES - Full-Size Lava Rock Gas Charbroilers

Approved by _____ Date _____ Approved by _____ Date _____

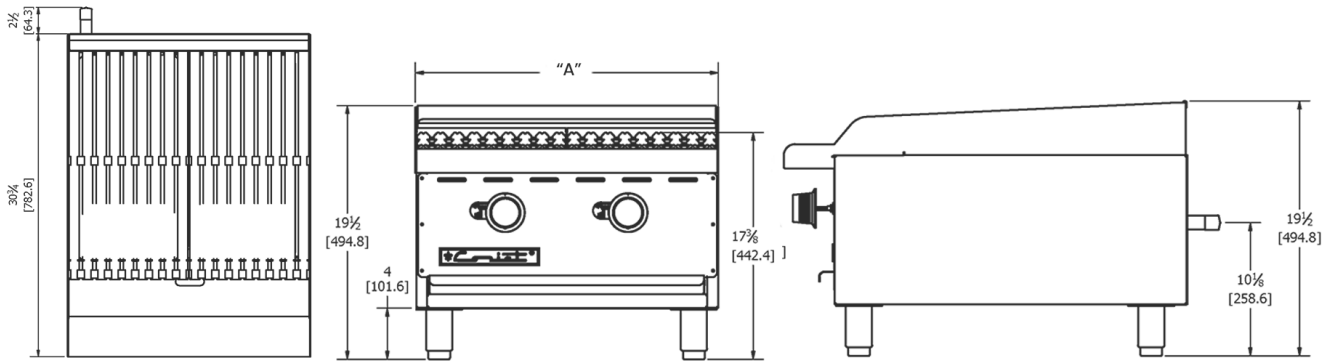


MASTER SERIES

Full-Size Lava Rock Gas Charbroilers

CLEARANCE AND POSITIONING REQUIREMENTS

This product must be installed on a non-combustible surface only, with a minimum of 6" from all sides. There must be a clearance of at least 6" from another appliance. This unit is supplied with 4 legs and must be placed on a resistant non-slip surface.



Model	Width (A)	Depth	Overall Height	Working Height	Working Area	Burners	BTU/HR	Shipping Weight (Lbs/Kg)
ACV-1	11 5/8"	30 3/4"	19 1/2"	17 3/8"	11 3/8" x 21 1/4"	1	30,000	99/45
ACV-2	23 1/4"	30 3/4"	19 1/2"	17 3/8"	22 7/8" x 21 1/4"	2	60,000	161/73
ACV-3	34 5/8"	30 3/4"	19 1/2"	17 3/8"	34 1/4" x 21 1/4"	3	90,000	207/94
ACV-4	46 1/2"	30 3/4"	19 1/2"	17 3/8"	45 5/8" x 21 1/4"	4	120,000	267/121

Constant improvement in all our processes is a Coriat value, therefore some specifications are subject to change without notice.

Approved by _____ Date _____ Approved by _____ Date _____