



Project \_\_\_\_\_

AIA# \_\_\_\_\_ SIS# \_\_\_\_\_

Item # \_\_\_\_\_ Quantity \_\_\_\_\_

# MASTER SERIES

## Gas Stock Pot Ranges



Model EC-1T

The images presented here are illustrative and may vary or not exactly match the physical product.



### MODELS

EC-1T       EC-3T

EC-2T

### STANDARD FEATURES

- External and internal sheet metal parts in stainless steel.
- Cast iron top grates.
- 18 gauge.
- 70,000 Btu/h cast iron heavy duty burner.
- Individual stainless steel no clog pilots.
- Zamak die cast knobs with set screws.
- Gas pressure regulator.
- Removable stainless steel grease tray, for fast cleaning.
- 4" stainless steel adjustable legs.
- CSA design certified, NSF listed.

MASTER SERIES – Gas Stock Pot Ranges

### DESCRIPTION

Coriat Master Series Gas Stock Pot Ranges are specially designed as central elements in regular kitchens or as auxiliary devices in very large kitchens. Discover the perfect way for batch cooking of soups, stews, broths and sauces.

### SPECIFY TYPE OF GAS WHEN ORDERING

Natural Gas

Propane

### SPECIFY ALTITUDE

Above 2,000 ft

Approved by \_\_\_\_\_ Date \_\_\_\_\_ Approved by \_\_\_\_\_ Date \_\_\_\_\_

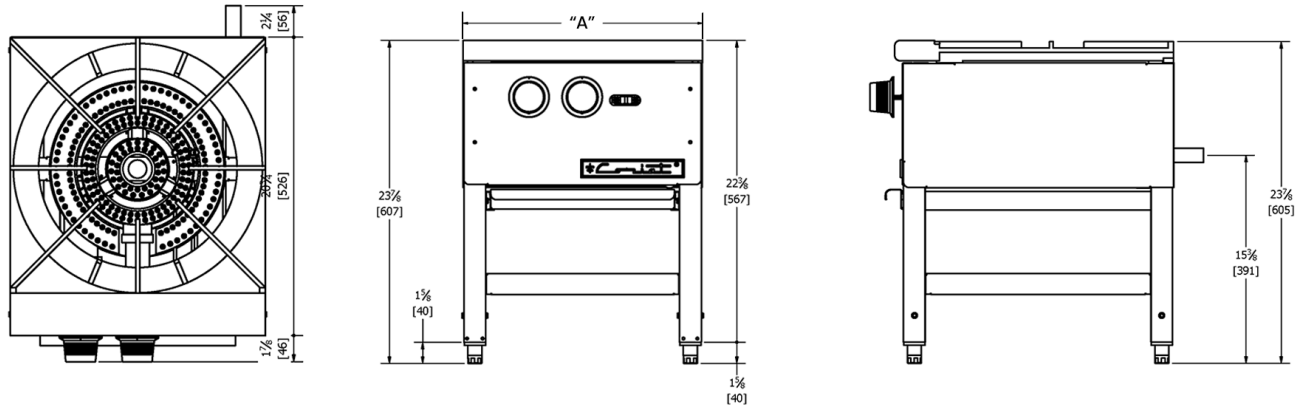


# MASTER SERIES

## Gas Stock Pot Ranges

### CLEARANCE AND POSITIONING REQUIREMENTS

This product must be installed on a non-combustible surface only, with a minimum of 6" from all sides. There must be a clearance of at least 6" from another appliance. This unit is supplied with 4 legs and must be placed on a resistant non-slip surface.



Model	Width (A)	Depth	Overall Height	Working Height	Working Area	Burners	BTU/HR	Shipping Weight (Lbs/Kg)
EC-1T	22 1/2"	27 1/8"	23 7/8"	23 7/8"	22 1/2" X 23 1/4"	1	70,000	128/58
EC-2T	44 7/8"	27 1/8"	23 7/8"	23 7/8"	44 7/8" X 23 1/4"	2	140,000	220/100
EC-3T	67 3/8"	27 1/8"	23 7/8"	23 7/8"	67 3/8" X 23 1/4"	3	210,000	331/150

Constant improvement in all our processes is a Coriat value, therefore some specifications are subject to change without notice.

Approved by \_\_\_\_\_ Date \_\_\_\_\_ Approved by \_\_\_\_\_ Date \_\_\_\_\_